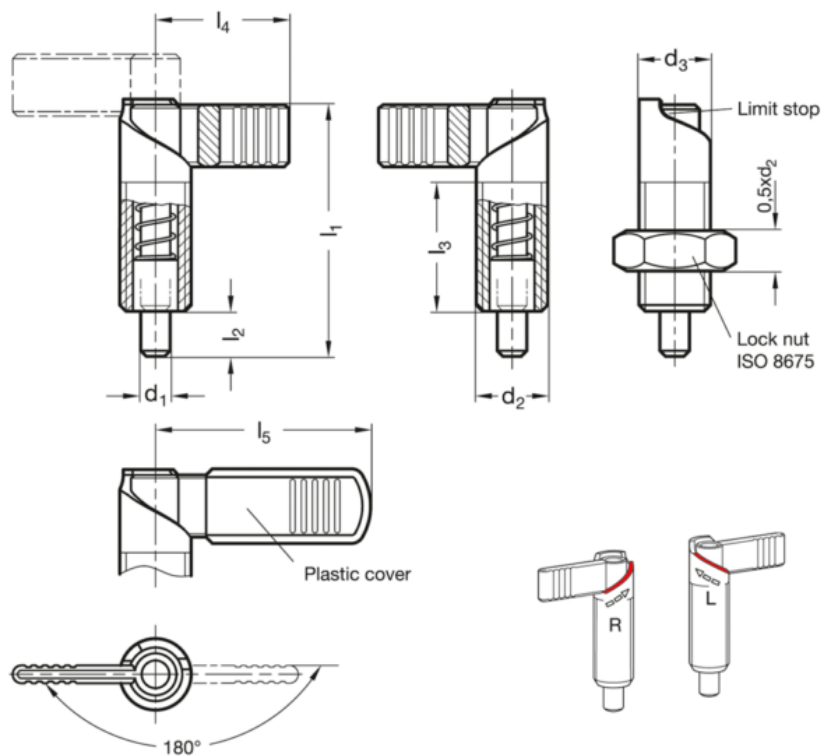


Article number: 2072158M1615LB
 Description: E+G indexing plunger
 GN 721.5-8-M16x1,5-LB

Measures



| | | | |
|----------|-----------|---------------------|------|
| d1 | = 8 | l4 | = 32 |
| d2 | = M16x1.5 | l5 | = 42 |
| d3 | = 16 | Weight in (g) = 166 | |
| fjedbund | = 11 | | |
| fjedtop | = 29 | | |
| l1 | = 56 | | |
| l2 | = 10 | | |
| l3 | = 30 | | |